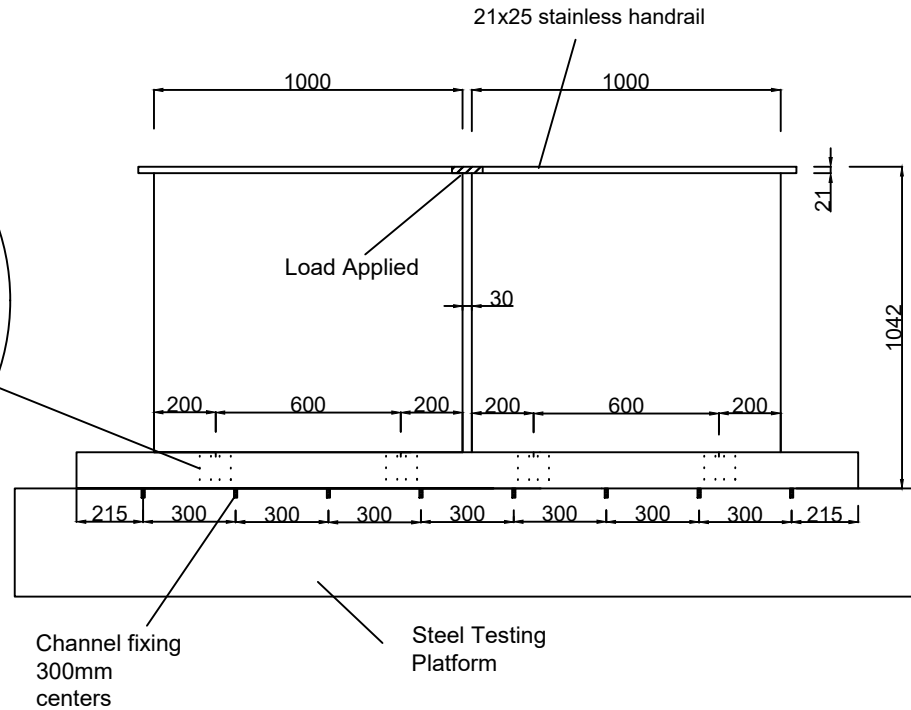
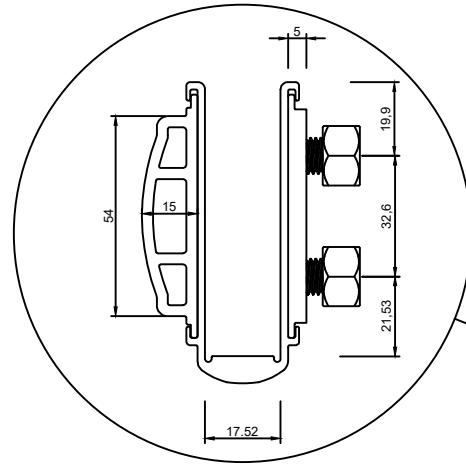
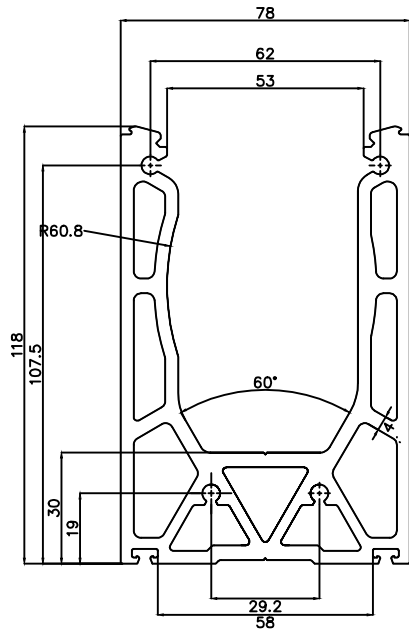


GLASS HARDWARE SYSTEMS

Date: 26/02/2019



Part no: BR78 Glass Type: 12mm toughened

Material: Aluminum Scale: Page: 2 of 2

Fasteners used for testing: Hi Tensile M10 bolts

Testing data: Refer to page 1