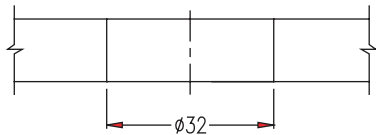


# Clear Glass Solutions

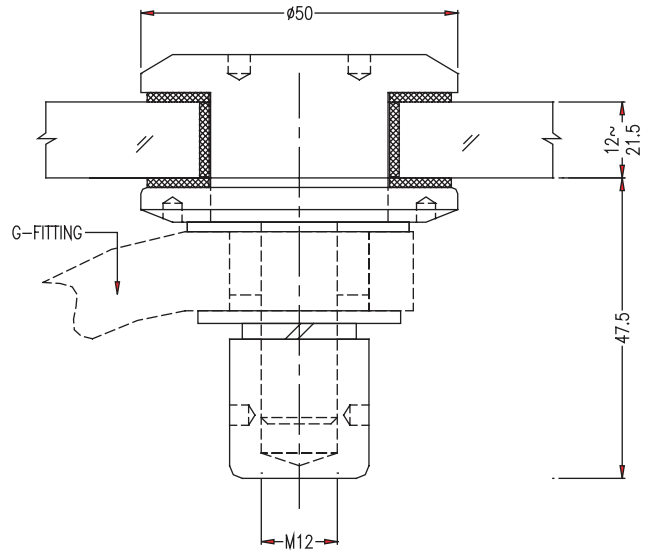
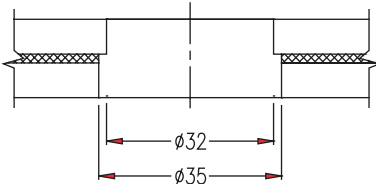
## Bolt Assembly Series

### FHB2-M12

Flat Head Fixed Bolt

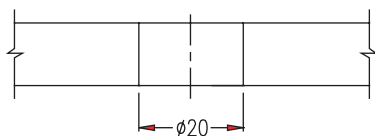


Glass Hole  $\phi$

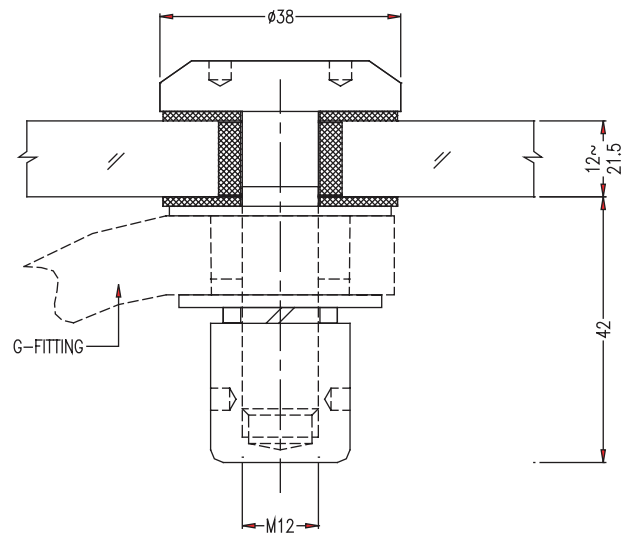
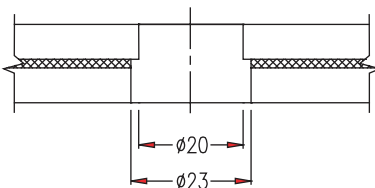


### FHB-M12

Flat Head Fixed Bolt



Glass Hole  $\phi$



Clear Glass Solutions PTY LTD Australia [www.clearglass.com.au](http://www.clearglass.com.au)

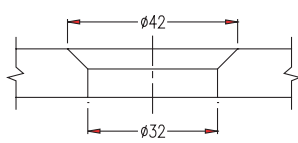
TEL: +61 03 5942 8444 Fax +61 03 5942 9286 email [info@clearglass.com.au](mailto:info@clearglass.com.au)

# Clear Glass Solutions

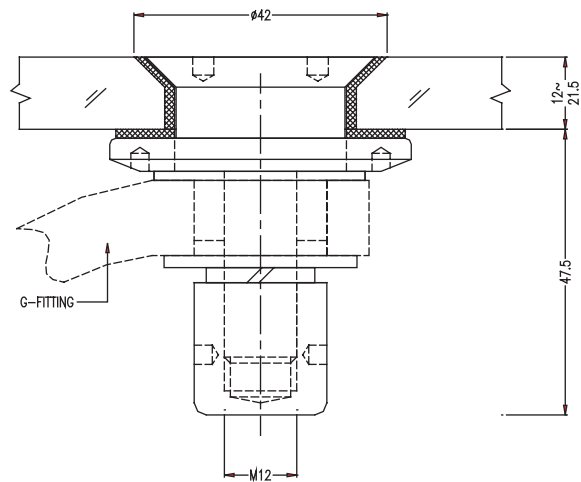
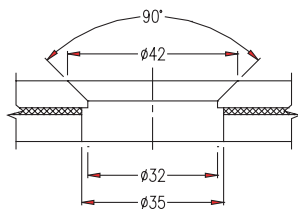
## Bolt Assembly Series

### CSB2-M12

Countersunk Fixed Bolt

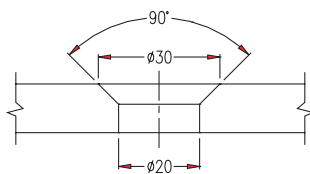


Glass Hole  $\phi$

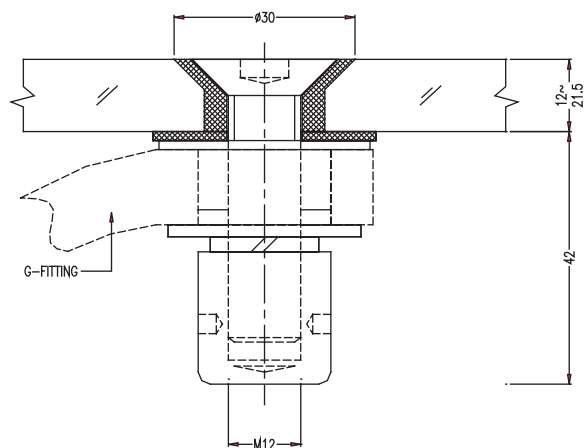
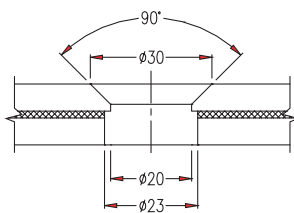


### CSB-M12

Countersunk Fixed Bolt



Glass Hole  $\phi$



Clear Glass Solutions PTY LTD Australia [www.clearglass.com.au](http://www.clearglass.com.au)

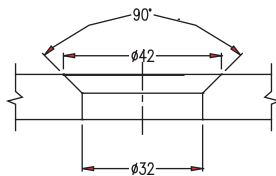
TEL: +61 03 5942 8444 Fax +61 03 5942 9286 email [info@clearglass.com.au](mailto:info@clearglass.com.au)

# Clear Glass Solutions

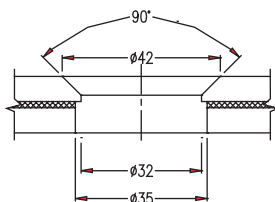
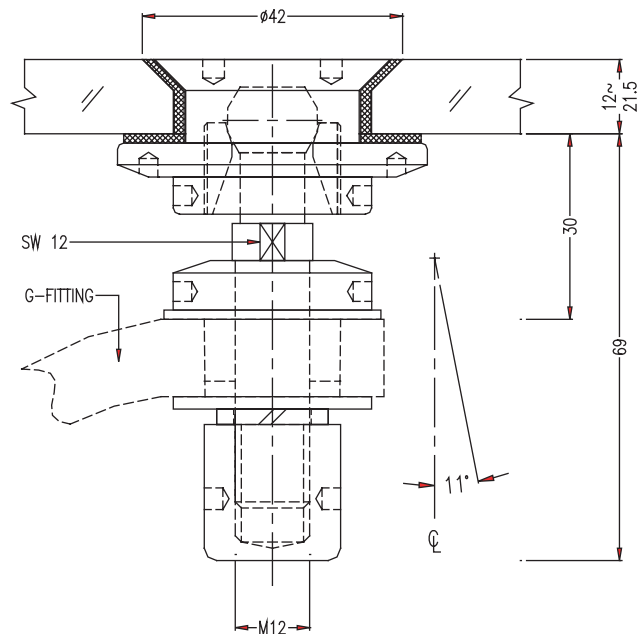
## Bolt Assembly Series

### CS-AB-M12

Countersunk Articulated Bolt

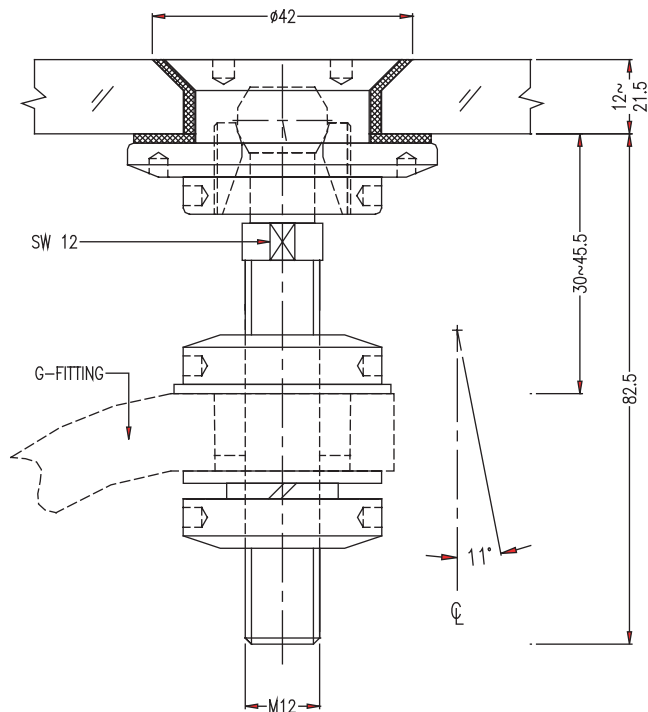


Glass Hole  $\phi$



### A-CS-AB-M12

Adjustable Countersunk Articulated Bolt



Clear Glass Solutions PTY LTD Australia [www.clearglass.com.au](http://www.clearglass.com.au)

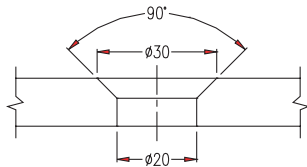
TEL: +61 03 5942 8444 Fax +61 03 5942 9286 email [info@clearglass.com.au](mailto:info@clearglass.com.au)

# Clear Glass Solutions

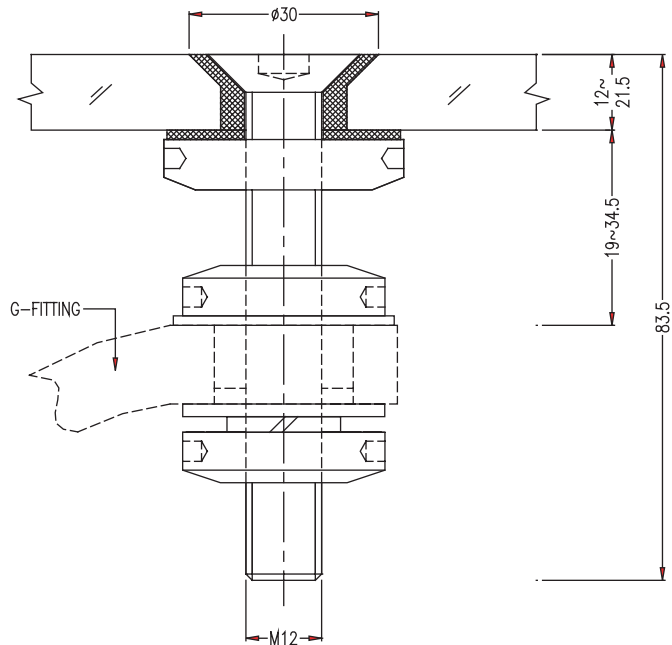
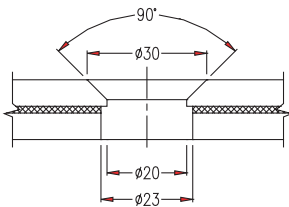
## Bolt Assembly Series

### A-CSB-M12

Adjustable Countersunk Fixed Bolt

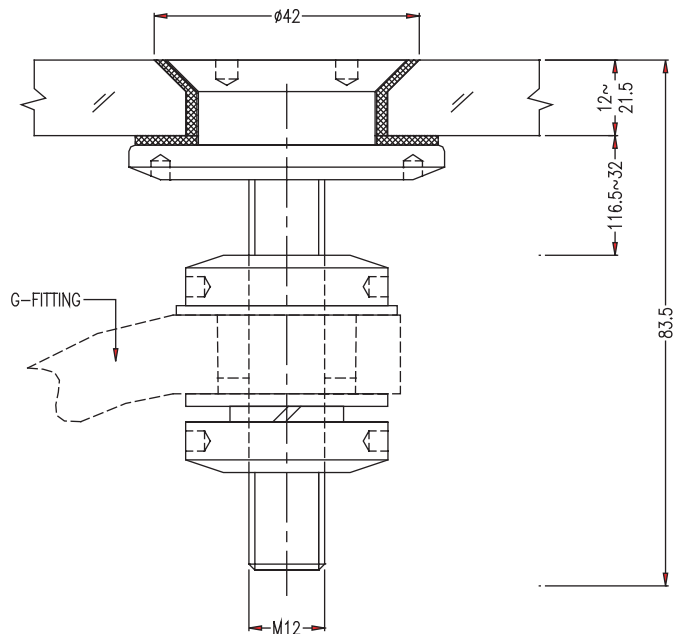
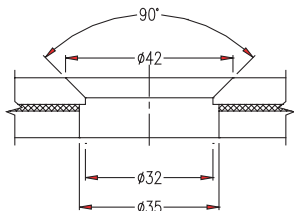
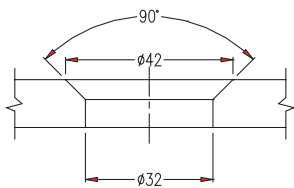


Glass Hole Ø



### A-CSB2-M12

Adjustable Countersunk Fixed Bolt



Clear Glass Solutions PTY LTD Australia [www.clearglass.com.au](http://www.clearglass.com.au)

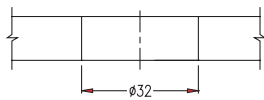
TEL: +61 03 5942 8444 Fax +61 03 5942 9286 email [info@clearglass.com.au](mailto:info@clearglass.com.au)

# Clear Glass Solutions

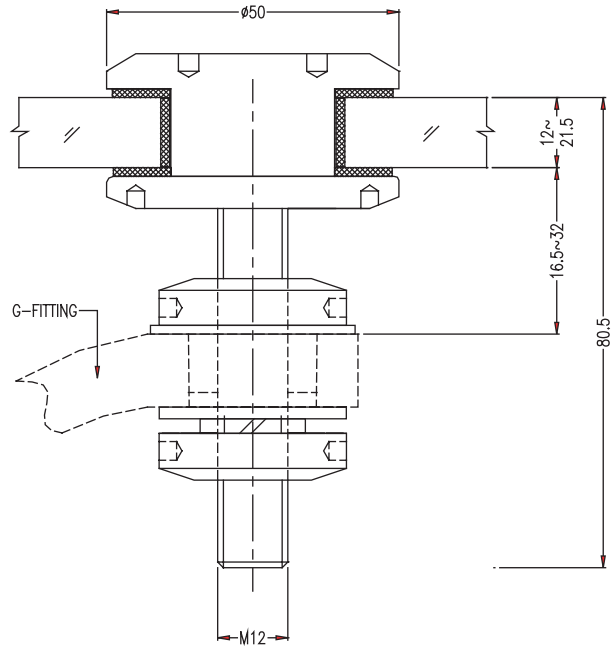
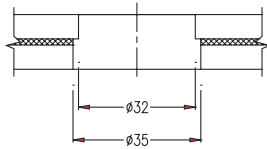
## Bolt Assembly Series

### A-FHB2-M12

Adjustable Flat Head Fixed Bolt



Glass Hole Ø

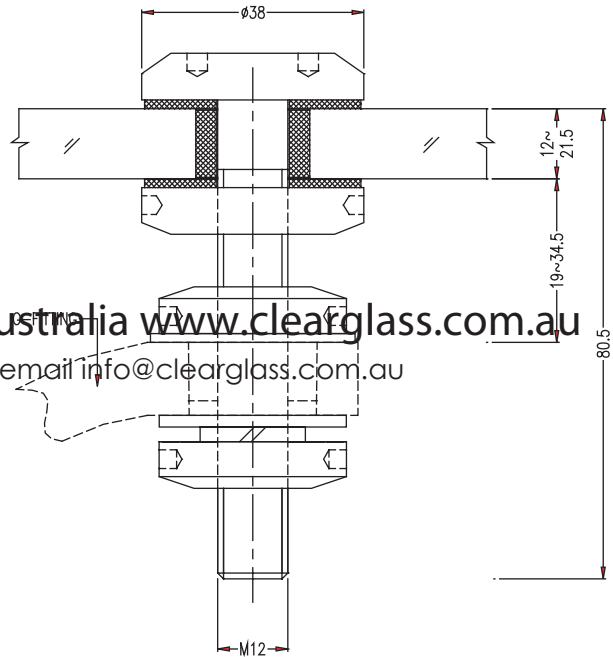
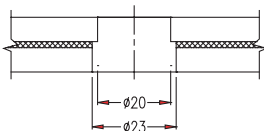


### A-FHB-M12

Adjustable Flat Head Fixed Bolt



Glass Hole Ø



Clear Glass Solutions PTY LTD Australia [www.clearglass.com.au](http://www.clearglass.com.au)

TEL: +61 03 5942 8444 Fax: +61 03 5942 9286 email: [info@clearglass.com.au](mailto:info@clearglass.com.au)

Clear Glass Solutions PTY LTD Australia [www.clearglass.com.au](http://www.clearglass.com.au)

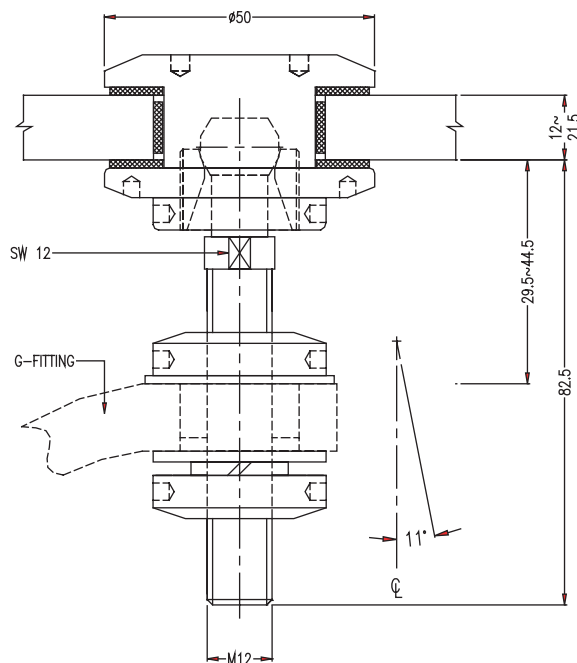
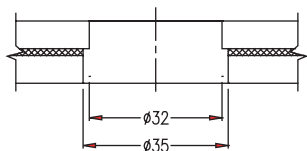
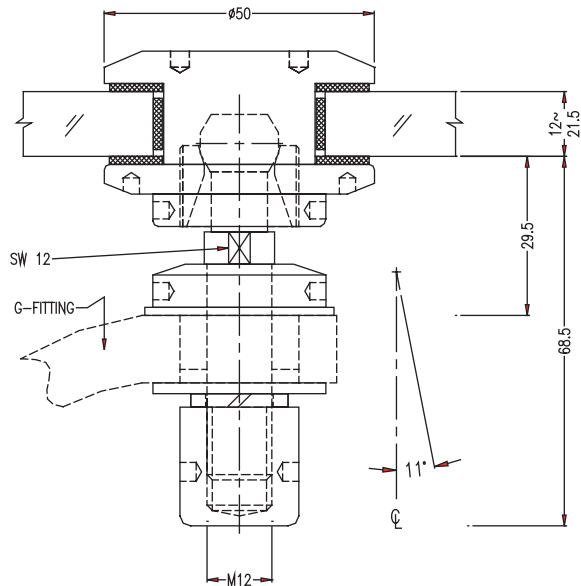
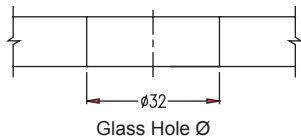
TEL: +61 03 5942 8444 Fax: +61 03 5942 9286 email: [info@clearglass.com.au](mailto:info@clearglass.com.au)

# Clear Glass Solutions

## Bolt Assembly Series

### FH-AB-M12

Flat Head Articulated Bolt



### A-FH-AB-M12

Adjustable Flat Head Articulated Bolt

Clear Glass Solutions PTY LTD Australia [www.clearglass.com.au](http://www.clearglass.com.au)

TEL: +61 03 5942 8444 Fax +61 03 5942 9286 email [info@clearglass.com.au](mailto:info@clearglass.com.au)

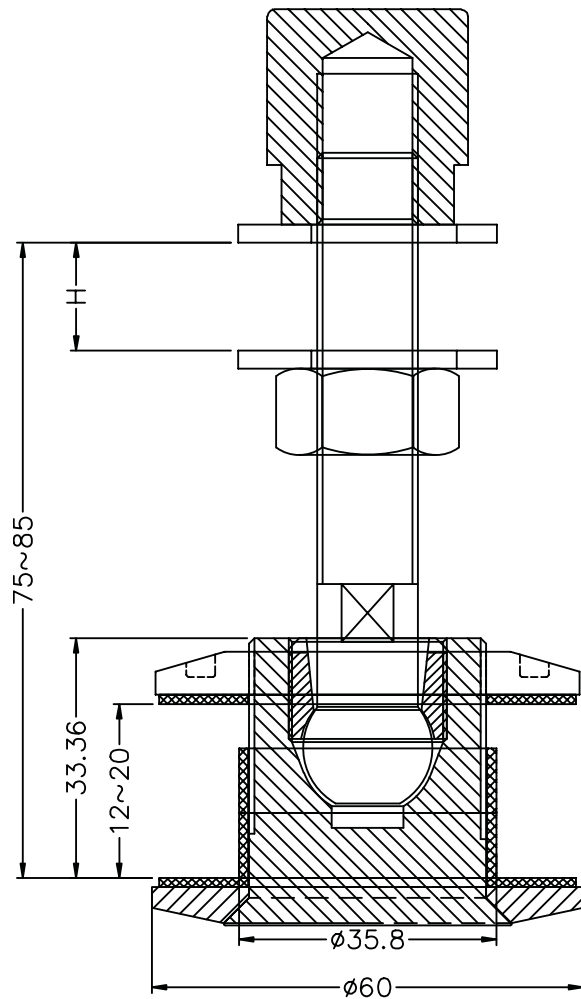
# Clear Glass Solutions

FH-AB3-M14

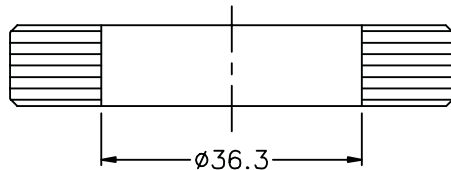
COMBINATION ARTICULATED BOLT

MATERIAL: 316 SS  
FINISH: SATIN OR MIRROR POLISHED

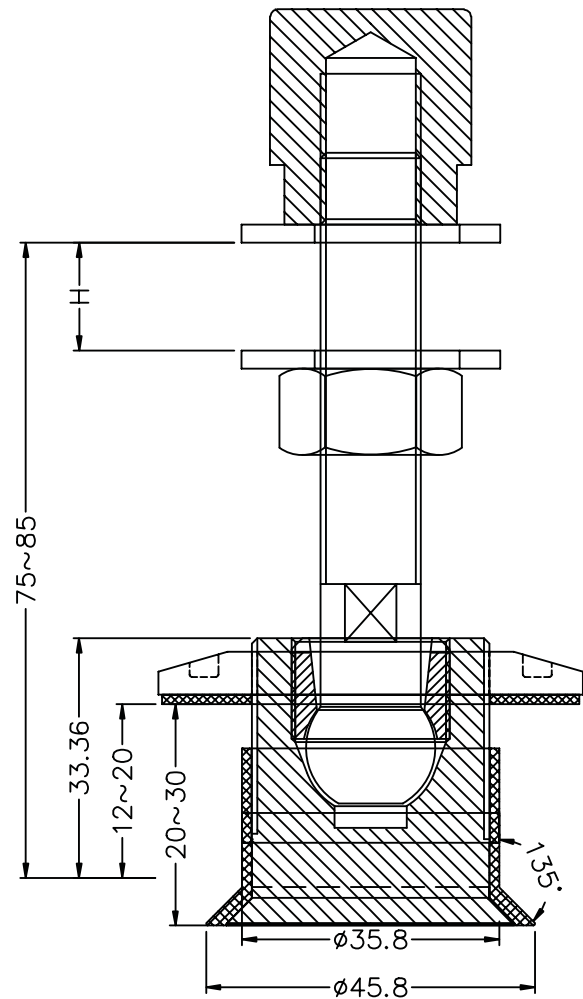
FLATHEAD



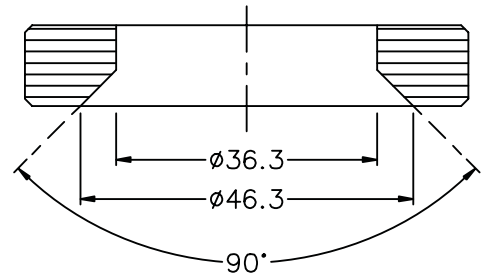
GLASS CUT OUT



COUNTERSUNK



GLASS CUT OUT

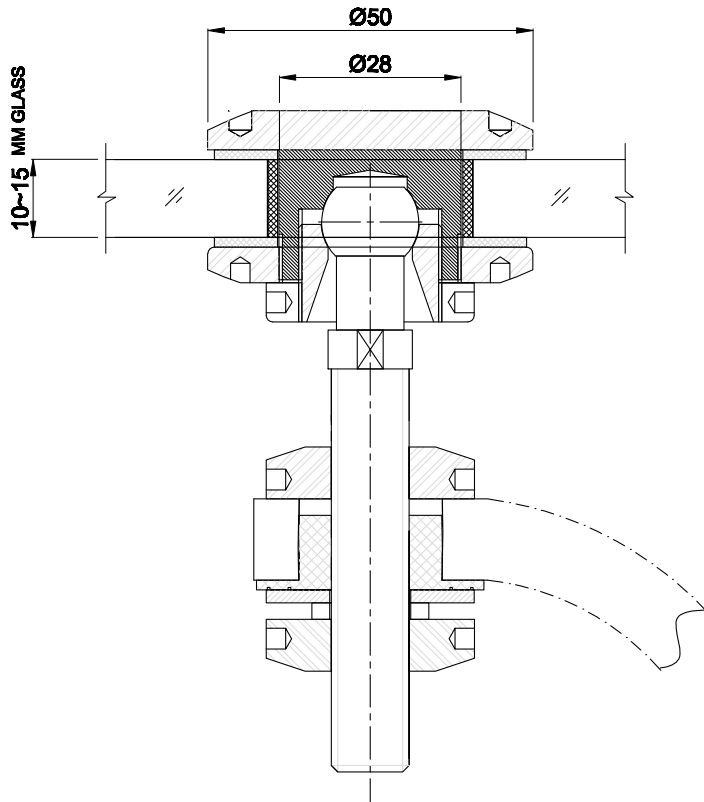


Clear Glass Solutions PTY LTD Australia [www.clearglass.com.au](http://www.clearglass.com.au)

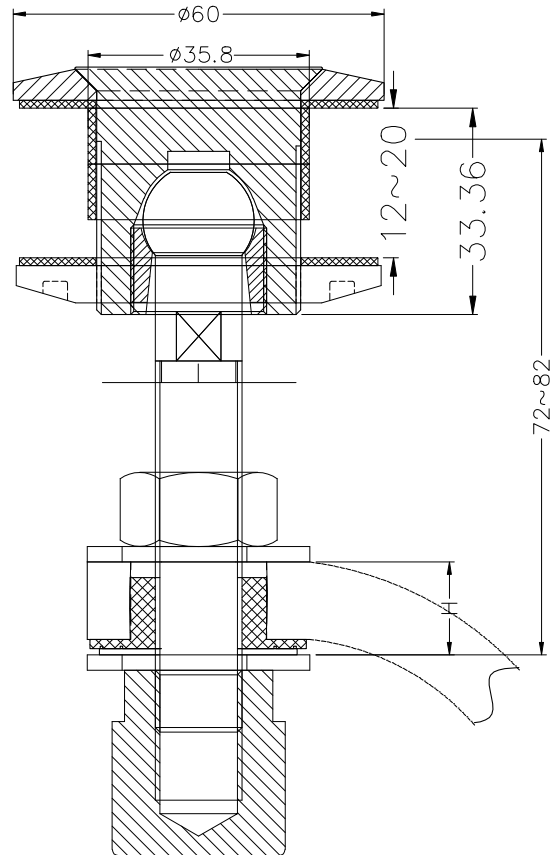
TEL: +61 03 5942 8444 Fax +61 03 5942 9286 email [info@clearglass.com.au](mailto:info@clearglass.com.au)

# Clear Glass Solutions

ADJUSTABLE FLATHEAD (FRONT HEAD REMOVABLE) BOLTS



**A-FH-AB-M12-FHR**  
Adjustable Flat Head Articulated Bolt



**A-FH-AB3-M14-FHR**  
Adjustable Flat Head Articulated Bolt

Clear Glass Solutions PTY LTD Australia

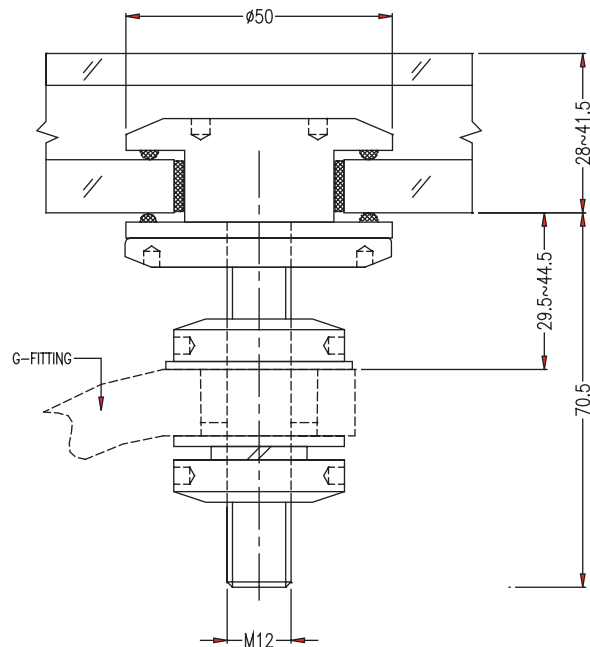
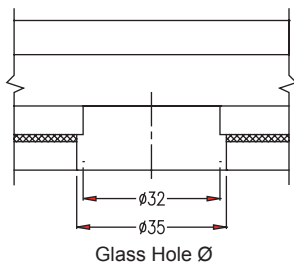
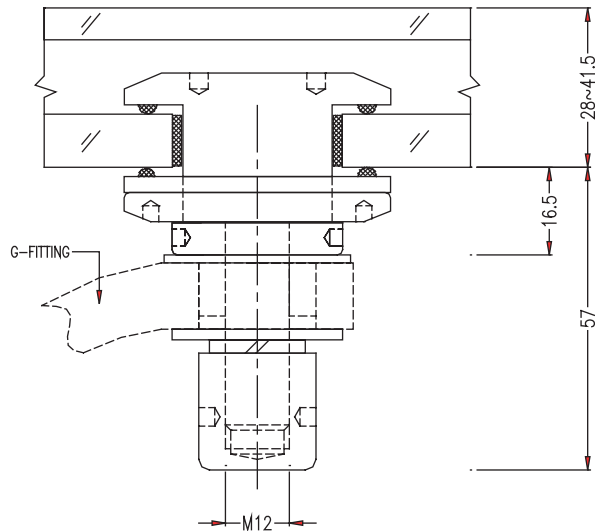
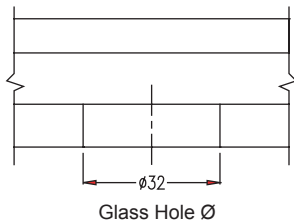
TEL: +61 03 5942 8444 Fax +61 03 5942 9286 web [www.clearglass.com.au](http://www.clearglass.com.au) email [info@clearglass.com.au](mailto:info@clearglass.com.au)

# Clear Glass Solutions

## Bolt Assembly Series

### DG1B-M12

Double Glazed Fixed Bolt



### A-DG1B-M12

Adjustable Double Glazed Fixed Bolt

Clear Glass Solutions PTY LTD Australia [www.clearglass.com.au](http://www.clearglass.com.au)

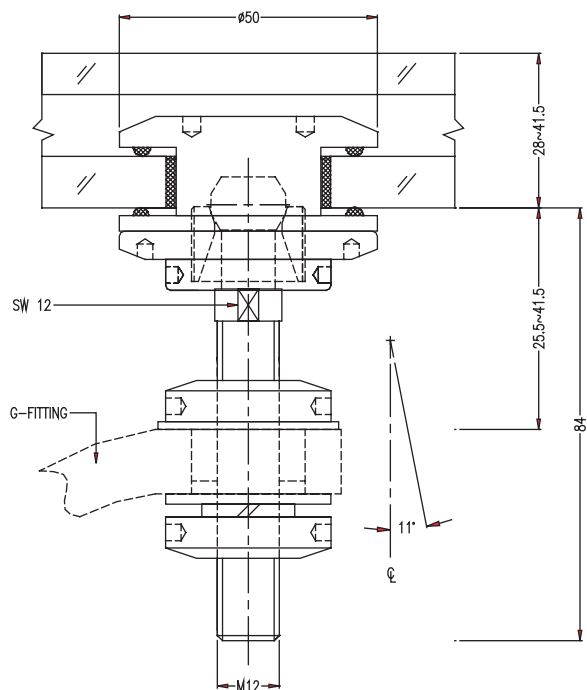
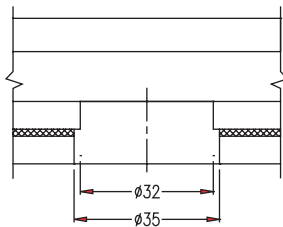
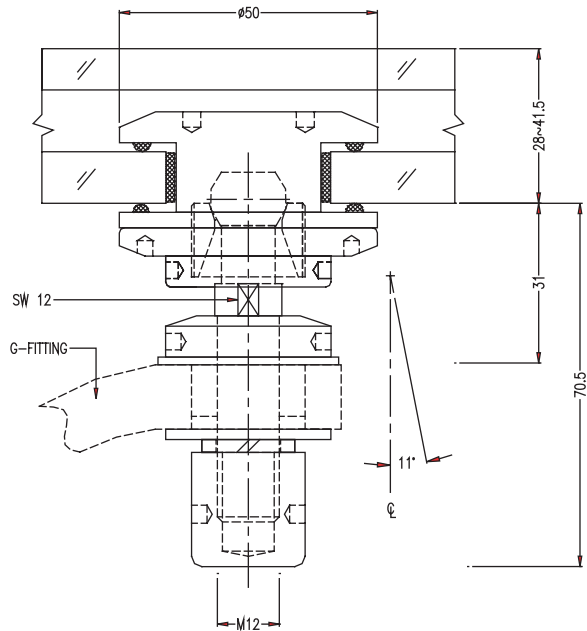
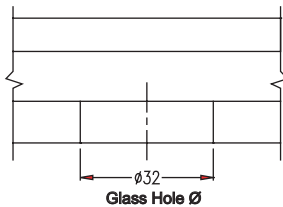
TEL: +61 03 5942 8444 Fax +61 03 5942 9286 email [info@clearglass.com.au](mailto:info@clearglass.com.au)

# Clear Glass Solutions

## Bolt Assembly Series

### DG1B-AB-M12

Flat Head Articulated Double Glazed Bolt



### A-DG1-AB-M12

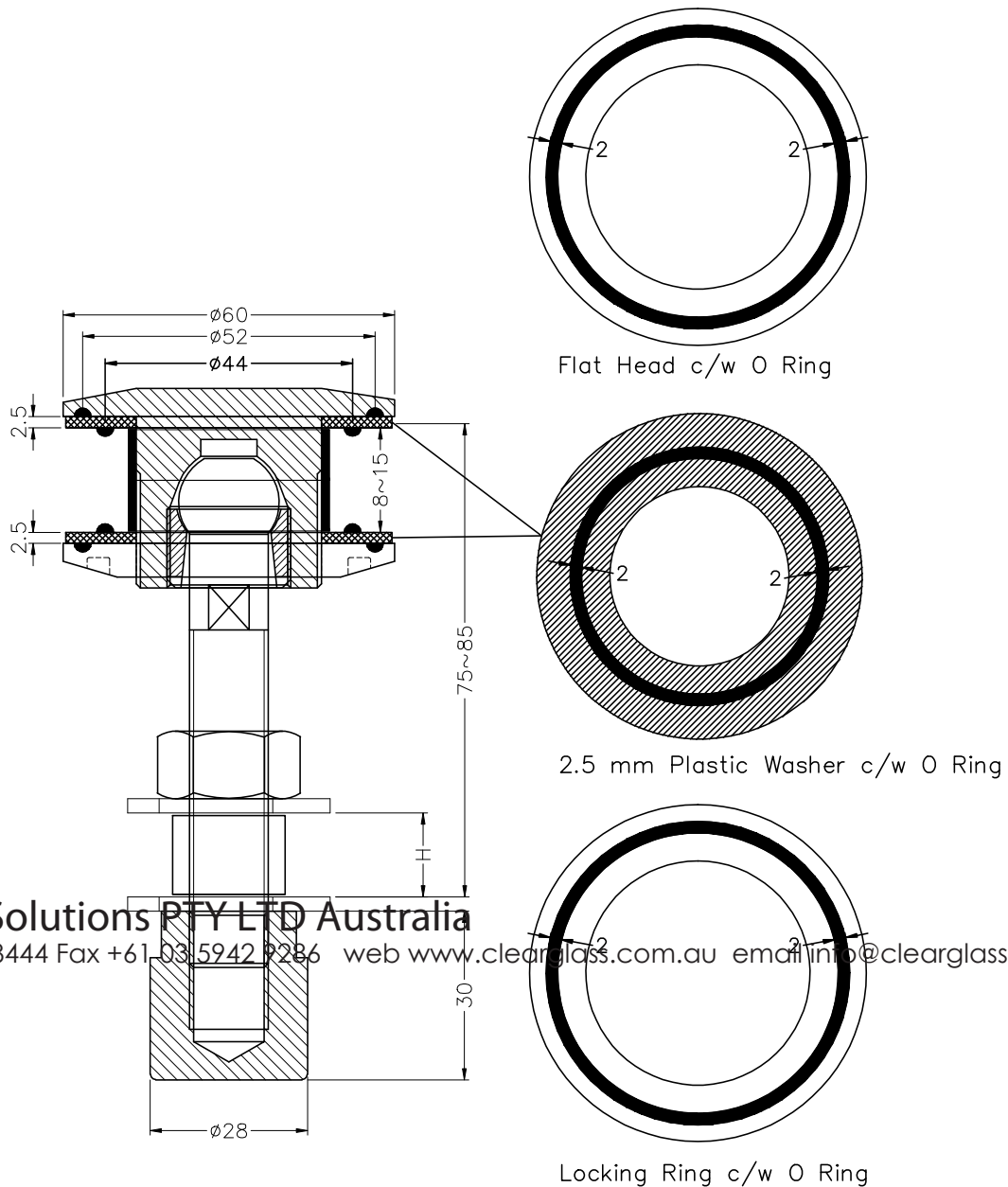
Adjustable Double Glazed Articulated Bolt

Clear Glass Solutions PTY LTD Australia [www.clearglass.com.au](http://www.clearglass.com.au)

TEL: +61 03 5942 8444 Fax +61 03 5942 9286 email [info@clearglass.com.au](mailto:info@clearglass.com.au)

# Clear Glass Solutions

DOUBLE GLAZE-ADJUSTABLE FLATHEAD BOLT



Clear Glass Solutions PTY LTD Australia

TEL: +61 03 5942 8444 Fax +61 03 5942 9286 web [www.clearglass.com.au](http://www.clearglass.com.au) email [info@clearglass.com.au](mailto:info@clearglass.com.au)

**DG1-FH-AB3-M14**

**Double Glaze- Adjustable Flat Head Bolt**

Clear Glass Solutions PTY LTD Australia

TEL: +61 03 5942 8444 Fax +61 03 5942 9286 web [www.clearglass.com.au](http://www.clearglass.com.au) email [info@clearglass.com.au](mailto:info@clearglass.com.au)